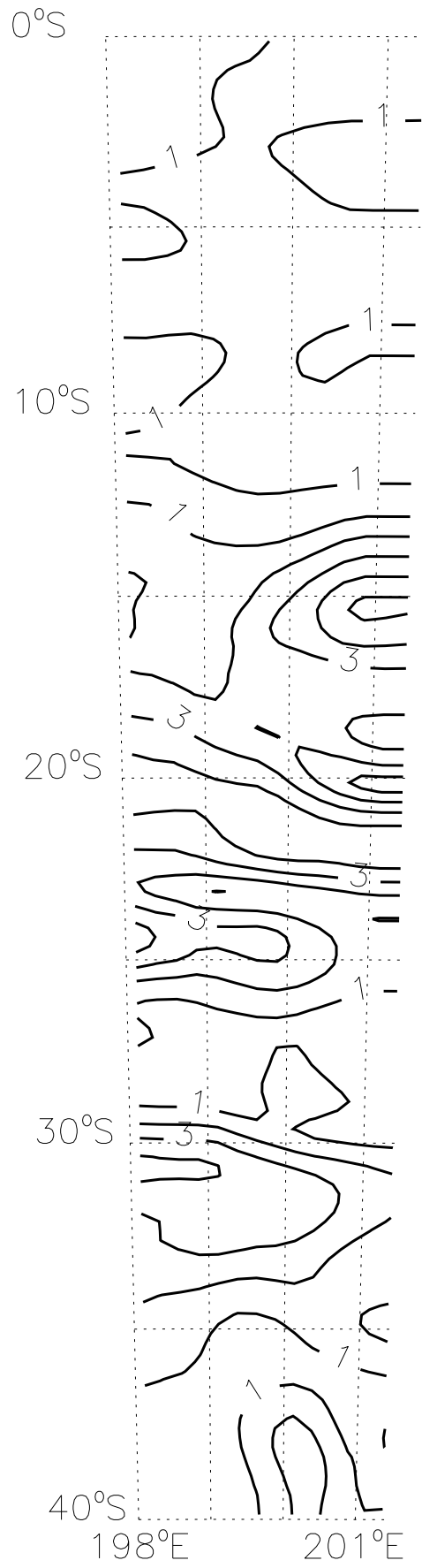
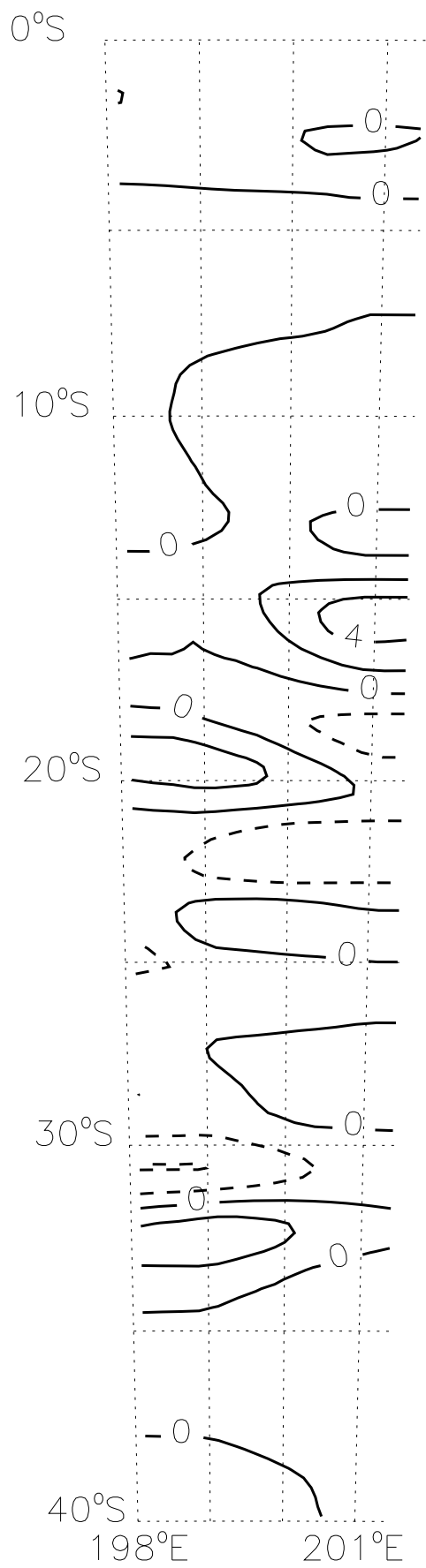


B-Total, nT

map99_089

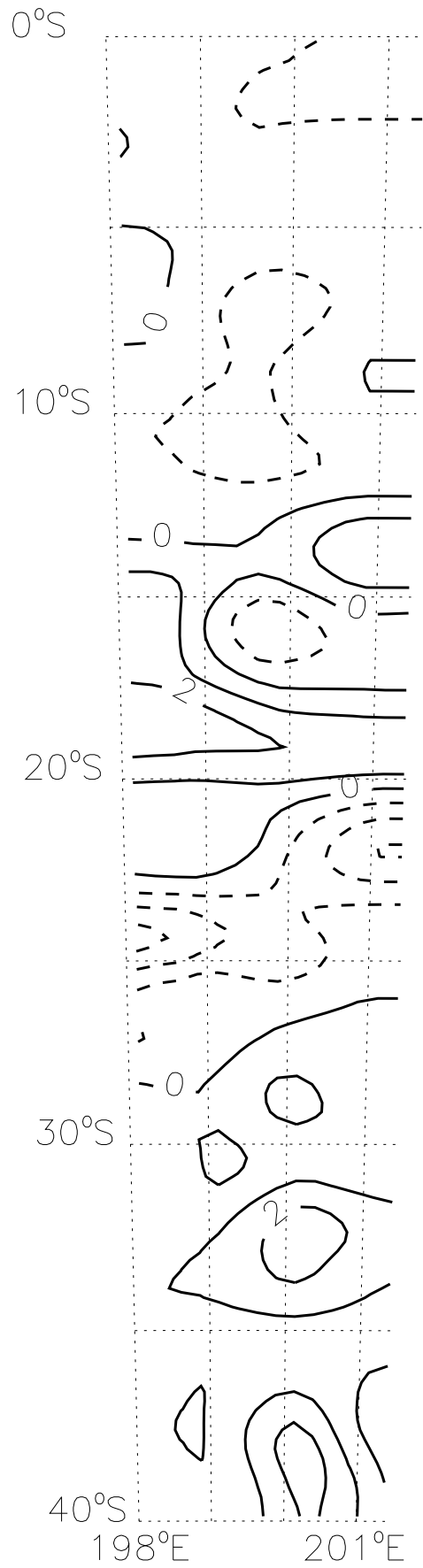


B-Radial, nT map99_089



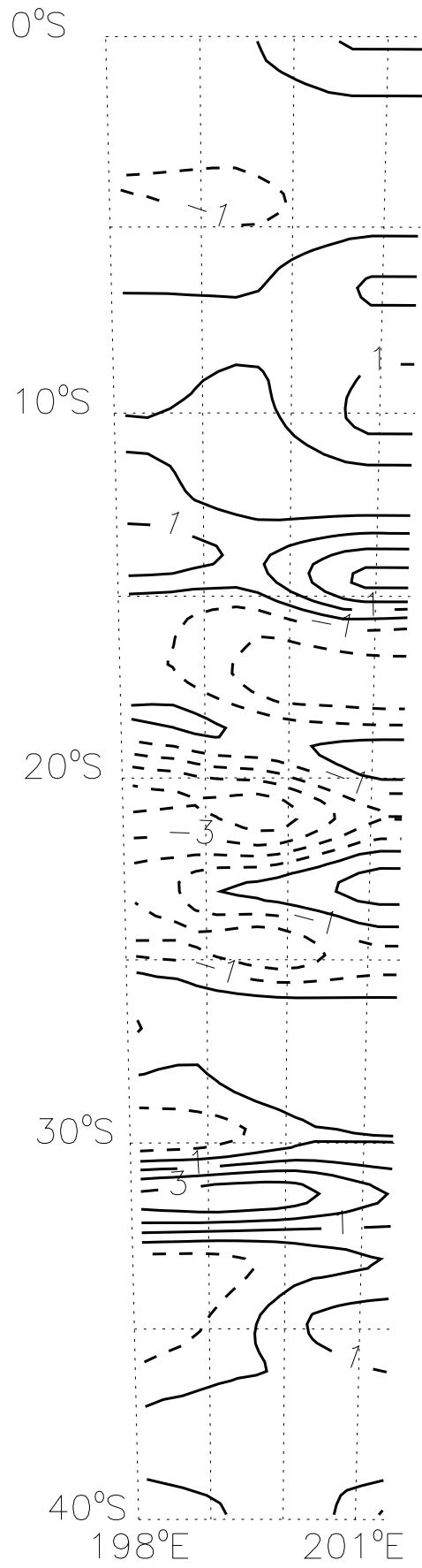
B-East, nT

map99_089



B-North, nT

map99_089



Altitude, km

map99_089

